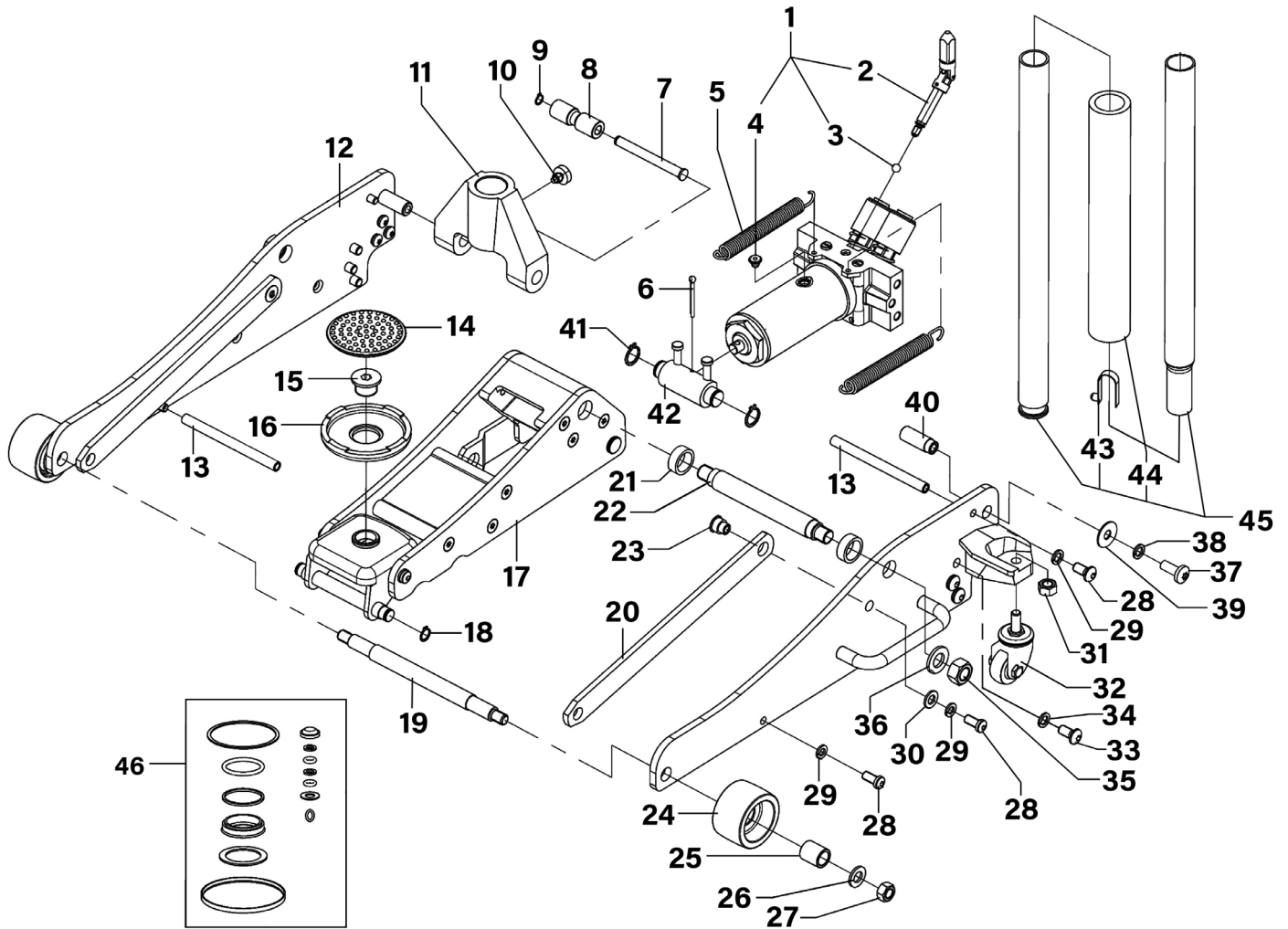


Parts Information: Trolley Jack 1.8 Tonne Low Profile Aluminium Rocket Lift Model No: RJA1800.V4



Item	Part No.	Description	Qty
1	RJA1800-V4-01	Hydraulic Unit Assembly	1
2	RJA1800-V4-02	Release Valve Assembly	1
3	SB-6.0	Steel Ball 6.0mm	1
4	RJA1800-V4-04	Oil Filler Plug	1
5	RJA1800-V4-05	Return Spring	2
6	RJA1550-V3-05	Spring Pin M4 x 45mm	1
7	RJA1800-V4-07	Handle Socket Pin (for Roller)	1
8	RJA1800-V4-08	Handle Socket Roller	1
9	RJA1550-V3-27	External Circlip Ø8mm	1
10	RJA1550-V3-06	Handle Socket Screw M8 x 12mm	1
11	RJA1800-V4-11	Handle Socket	1
12	RJA1800-V4-12	Side Frame	2
13	RJA1800-V4-13	Limit Rod	2
14	JP12	Safety Rubber Jack Pad - Type B	1
15	RJA1800-V4-15	Saddle Pin	1

Item	Part No.	Description	Qty
16	RJA1800-V4-16	Saddle	1
17	RJA1800-V4-17	Lifting Arm Assembly	1
18	RJA1800-V4-18	External Circlip Ø13mm	2
19	RJA1800-V4-19	Front Wheel Axle	1
20	RJA1800-V4-20	Radius Link	2
21	RJA1800-V4-21	Bush for Support Shaft	2
22	RJA1800-V4-22	Support Shaft	1
23	RJA1800-V4-23	Radius Link Pin	2
24	RJA1800-V4-24	Front Wheel	2
25	RJA1800-V4-25	Front Wheel Bush	2
26	FWM12.S	Flat Washer M12 Zinc	2
27	SN12.S	Steel Nut M12 Zinc	2
28	BHSS816.S	Button Head Socket Screw M8 X 16 Zinc	6
29	SWM8.S	Spring Washer M8 Zinc	6

NOTE: It is our policy to continually improve products and as such we reserve the right to alter data, specifications and component parts without prior notice. There may be alternative versions of this product, please contact us should you require this information.

IMPORTANT: No liability is accepted for incorrect use of product. Spare parts must be fitted by a competent person

WARRANTY: Guarantee is 12 months from purchase date, proof of which will be required for any claim.



Parts Information:
**Trolley Jack 1.8 Tonne Low Profile
Aluminium Rocket Lift
Model No: RJA1800.V4**

Item	Part No.	Description	Qty
30	FWM8.S	Flat Washer M8 Zinc	2
31	SN10.S	Steel Nut M10 Zinc	2
32	RJA1800-V4-32	Rear Castor Assembly	2
33	BHSS1020.S	Button Head Socket Screw M10 X 20 Zinc	6
34	SWM10.S	Spring Washer M10 Zinc	6
35	SN16.S	Steel Nut M16 Zinc	2
36	FWM16.S	Flat Washer M16 Zinc	2
37	BHSS1025.S	Button Head Socket Screw M10 X 25 Zinc	2

Item	Part No.	Description	Qty
38	SWM10.S	Spring Washer M10 Zinc	2
39	FWM10.S	Flat Washer M10 Zinc	2
40	RJA1800-V4-40	Handle Socket Pin	2
41	RJA1550-V3-29	External Circlip Ø18mm	2
42	RJA1800-V4-42	Connecting Rod	1
43	RJA1800-V4-43	Handle Lock Button	1
44	RJA1800-V4-44	Handle Protection Foam	1
45	RJA1800-V4-45	Handle Assembly	1
46	RJA1800-V4-RK	Repair Kit	1

NOTE: It is our policy to continually improve products and as such we reserve the right to alter data, specifications and component parts without prior notice. There may be alternative versions of this product, please contact us should you require this information.

IMPORTANT: No liability is accepted for incorrect use of product. Spare parts must be fitted by a competent person

WARRANTY: Guarantee is 12 months from purchase date, proof of which will be required for any claim.

Sealey Group, Kempson Way, Suffolk Business Park, Bury St Edmunds, Suffolk. IP32 7AR



01284 757500



sales@sealey.co.uk



www.sealey.co.uk